

VariPOS S

The POS System of Forward Thinking



www.pointdus.com



Strengthen Your Business With These Benefits

- Intel® Bay Trail (Celeron J1900) CPU
- Intel® Ivy Bridge(Core i3-3217U) CPU
- All-in-One FANLESS POS System
- 15" zero-bezel with resistive touch / PCAP touch (optional)
- LED backlight for power saving
- Flexible architectures for peripheral
MSR / iButton / Fingerprint / VFD / second display supported
- Die-casting aluminum housing with IP66 certification
- Colorful plastic cover to lighten business identification
- Hidden cable management for space management
- Reliable and consistent quality to Point-of-Sales requirement

Optional Accessories

- VFD: 2x20 Attached VFD
- MSR:Front, 3 Tracks RS-232 Type or PS/2 Type
- MSR & iButton:MSR-Front & iButton, RS-232 Type or PS/2 Type
- RFID 13.56MHz, USB Type
- Fingerprint Reader, USB Type
- Smart Card Reader, USB Type
- 10.4" Second Display. Resolution 800 X 600





Superior Performance

Integrated with the latest Intel Bay Trail / Ivy Bridge CPU for advanced processing power.

Streamlined Upgrade

All of the cutting-edge benefits of the original, reliable VariPOS have been improved, including a FANLESS design

Satisfy Market Demand

LED backlight LCD, PCT touchscreen, True-flat glass surface, Fanless ventilation, Aluminum housing, and a Stylish appearance

Splendid Functionality

Modularized design for ease of maintenance, consistent peripheral connection, and slim design with a small footprint



* The IO cover with different color by request as options.



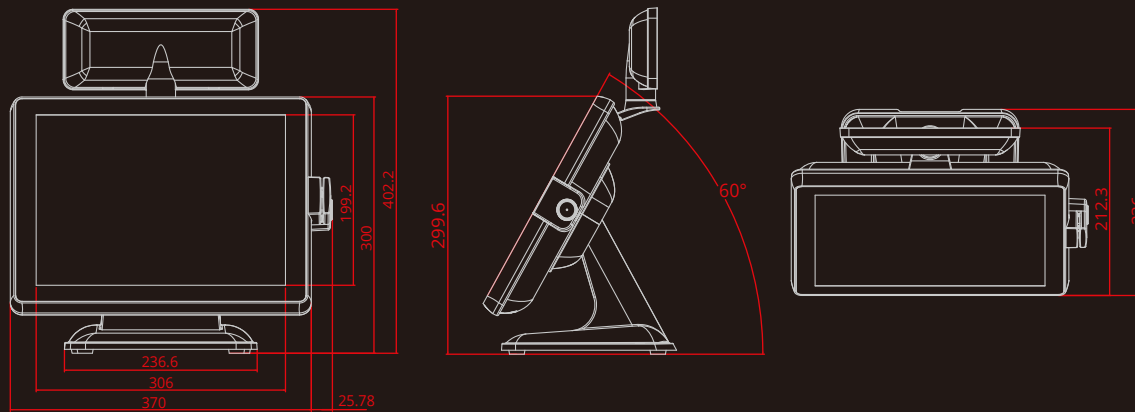
Specification

Model Name		VariPOS 715S	VariPOS 815S
Main Board	CPU	Intel® Celeron J1900 2.0GHz (2MB Cache) Fanless	Intel® Core i3-3217U 1.8GHz (3MB Cache)
	Chipset	CPU Integrated	Intel® PCH HM76
	System Memory	1 x DDR3L SO-DIMM up to 8GB	1 x SO-DIMM DDRIII 1600MHz, up to 8GB
Display	TFT LCD	15" TFT LCD(LED backlight)	
	Brightness	250nits	
	Resolution	True Flat Projected Capacitive Technology True Flat 5-Wire Resistive	
	Touch Screen	1024 x 768	
Storage	HDD / SSD Type	1 x SATA 2.5" HDD or SSD	
I/O Ports -External	DC Power Input	1 x Mini Din 4P (DC 19V only)	
	Cash Drawer	1 x RJ-11 (12V or 24V[default]) *1x RJ-11 support 2 x cash drawer	
	*Network (LAN)	1 x Gigabit Ethernet by RJ-45	
	USB Port	4 x USB 2.0 / 1 x USB 3.0	4 x USB 2.0 / 2 x USB 3.0
	COM Port	3 x RS-232(RJ48 connector), COM1/2/3 Pin 10W w/R1/SV/12V select by BIOS (default is R1)	3 x RS-232(RJ48 connector),COM1/2 Pin10(SV); COM3 Pin10(12V), Power enabled by BIOS setting (default R1)
	VGA Port	1 x DB-15 VGA port Power enable by BIOS setting (default disable)	
	Power ON/OFF	1 x power on/off switch button	
	I/O Ports -Internal	Card Reader & iButton	COM6 : Internal Pin header for Card Reader & iButton
Speaker		HD Audio, 2W Speaker x 2	
Bus Expansion		1 x Mini-PCI-E Slot	
Compliance	IP66 on front panel		
OS Support	Windows 10 IOT, Windows 8.1, Windows 7, POSready 7		
Power Supply	External adapter 65 watts, Voltage:+19VDC 3.42A max		
Material	Main Unit: Die-casting aluminum ; I/O Cover: Plastic (black)		
Color	Standard : Black (Optional: White / Gery)		
Certifications	CE, FCC, LVD, RoHS, CB, CCC	CE, FCC, LVD, RoHS	
Dimension (W x H x D)	370 x 300 x 236 mm		
Weight	5.68 Kg		
VESA Mounting	100 x 100 mm		
Operating Temperature	0°C ~ 40°C, 10% ~ 90% RH, non-condensing		
Storage Temperature	-20°C ~ 60°C, 10% ~ 90% RH, non-condensing		

*The right has been reserved to change the specification without prior notice.

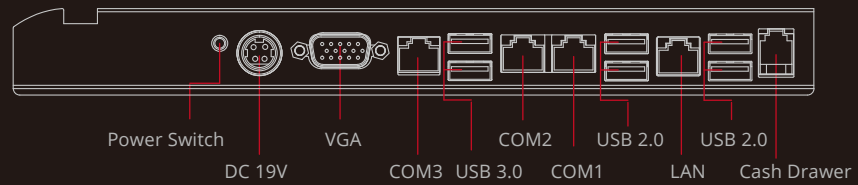
* Dual Lan Supported by Project

Dimensions unit:mm

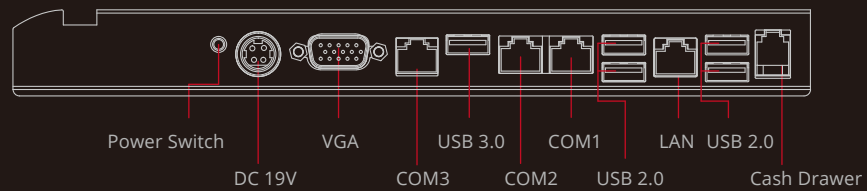


IO Interface

VariPOS 815 S



VariPOS 715 S



Poindus Systems Corp. Headquarters

5F., No.59, Ln. 77, Xing-Ai Rd., Neihu Dist., Taipei City 114, Taiwan. R.O.C

Tel : +886-2-7721-4688

Fax: + 886-2-7721-2289

sales@poindus.com

FRANCE

104 Avenue de France, 75013 – Paris

Tel: +33 (0)1 46 46 11 89

fr.sales@poindus.com

GERMANY

ADASYS GmbH Elektronische Komponenten Max-Planck-Str. 10 70806 Kornwestheim

Tel: + 49 7154 8300 0

Fax: +49 7154 8300 599

info@adasys.de

UK

8d, Britannia Ind Est. 117-125 Leagrave Rd Luton LU3 1RJ

Tel: +44 330 555 0081

Fax: +44 330 555 0082

puk@poindus.com

USA

13949 Ramona Ave. Suite H Chino, CA 91710

CA: +1 (855) 922 0077

FL: +1 (727) 532 8342

Fax: +1 (855) 922 0077

sales@poindus-usa.com

<http://www.poindus.com>

Poindus
Think Global with Local Touch

